

DWG NO. 110DSF95

SH 1 REV A

1

REVISIONS

ZONE	REV	DESCRIPTION	DATE	APPROVED
------	-----	-------------	------	----------

D

D

C

C

B

B

A

A

4

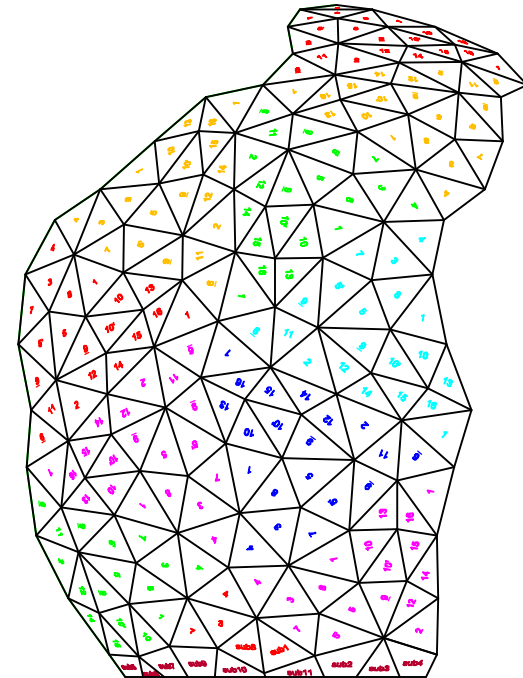
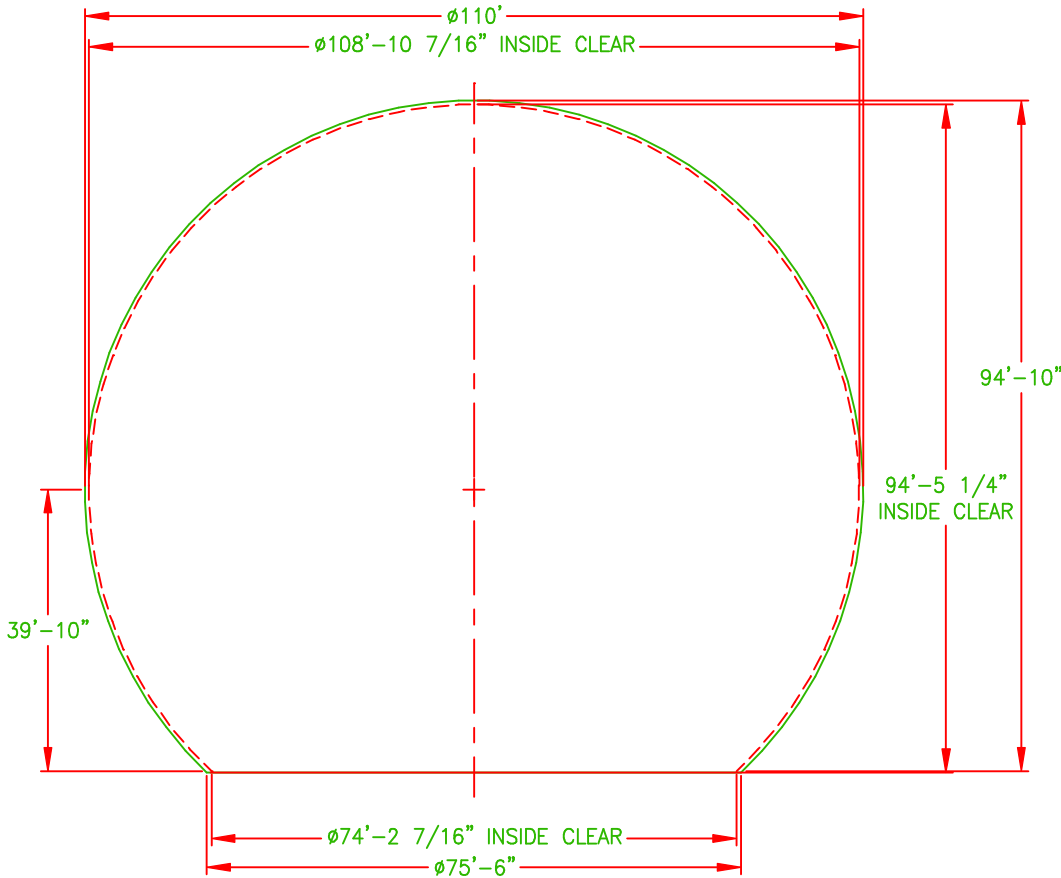
3

4

3

2

1



These documents submitted by Antennas for Communication contain information of a proprietary nature and shall not be copied or duplicated in whole or in part or used in whole or in part for any purpose other than that which is necessary for the preparation of bids or fabrication.

UNLESS OTHERWISE SPECIFIED:

1. ALL MACHINED SURFACES TO BE 125 MICRONCHES OR SMOOTHER.
2. ALL DIMENSIONS ARE IN INCHES.

TOLERANCES:

JX ±.04 (1.00mm) FRACTIONS
 .XXX ±.008 (0.20mm) ± 1/16
 .XXXX ±.0008 (0.02mm) ANGLE ±1/2°

CONTRACT NO.

DRAWN KROHNE 12/02/97

CHECKED

110' DIAMETER RADOME

94'10" HIGH DIELECTRIC



110DSF95

ANTENNAS FOR COMMUNICATIONS INC.
 OCALA, FLORIDA

SIZE B

CAGE CODE

CAGE CODE

DWG NO.

110DSF95

REV. A

SCALE SCALE

DWG. WT. ACT. WT. SHEET 1 OF 1