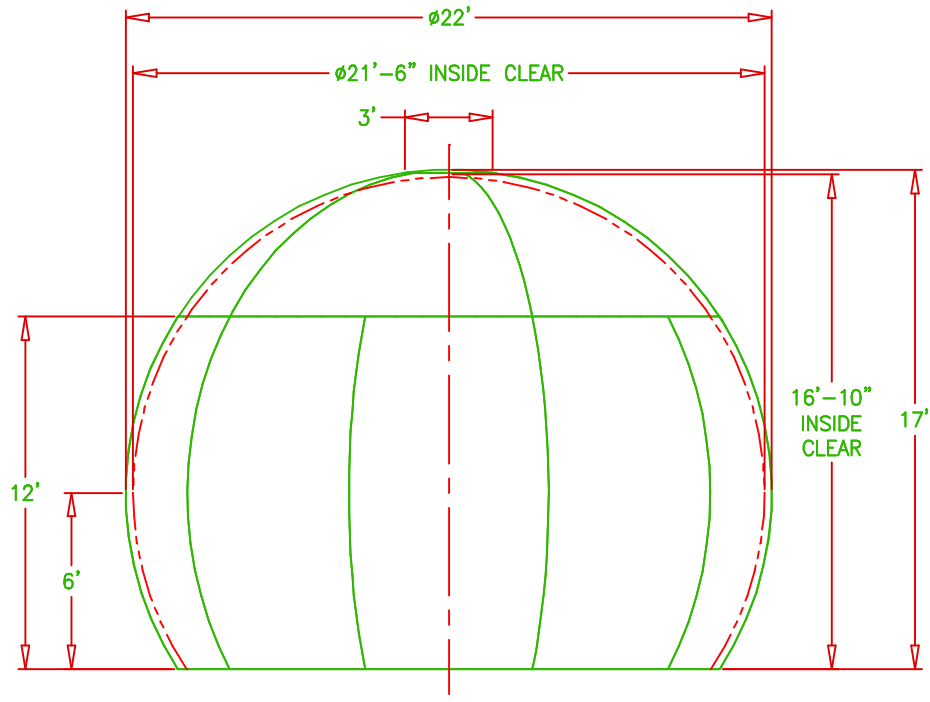
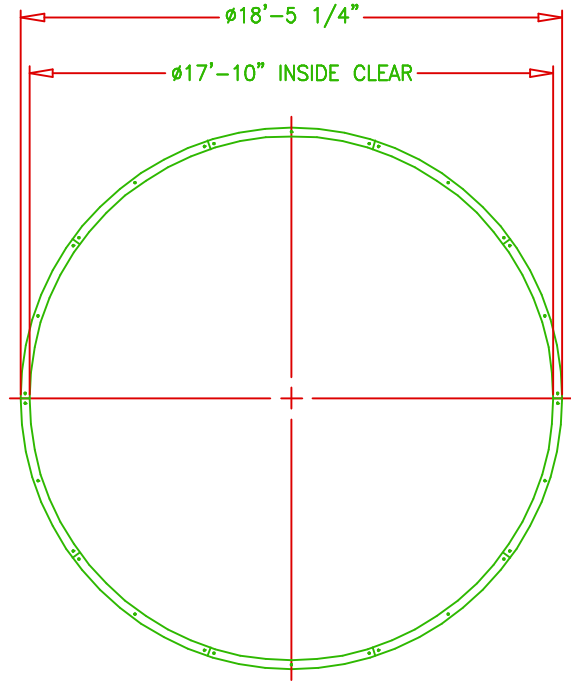


REVISIONS				
ZONE	REV	DESCRIPTION	DATE	APPROVED



ELEVATION



BASE RING

ORIGINAL

These documents by Antennas for Communication contain information of a proprietary nature and shall not be copied or duplicated in whole or in part or used in whole or in part for any purpose other than for preparation of bids or fabrication.

- 1. ALL MACHINED SURFACES TO BE 125 MICRONS OR SMOOTHER.
- 2. ALL DIMENSIONS ARE IN INCHES.
- X: ±.1 (2.5mm) FRACTIONS
- Z: ±.04 (1.0mm) ± 1/16
- XXX: ±.008 (0.2mm) ANGLE ±1°

OUTLINE: 22' RADOME 17' HIGH
1/5/10 VERTICAL SLICE; SPHERICAL SURFACE
22DVS17005

AFC ANTENNAS FOR COMMUNICATIONS INC.
 Ocala, Florida

DESIGN: **A** | CODE: **1GC56** | PART: **22DVS17002** | REV: **A**

PRODUCTION: **R. KROHNE** | DATE: **04/02/00** | 1732 | MARKETING: **1** OF **1**