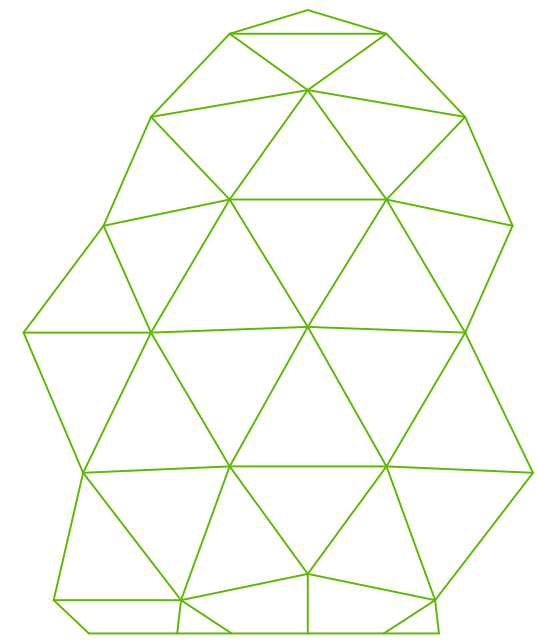
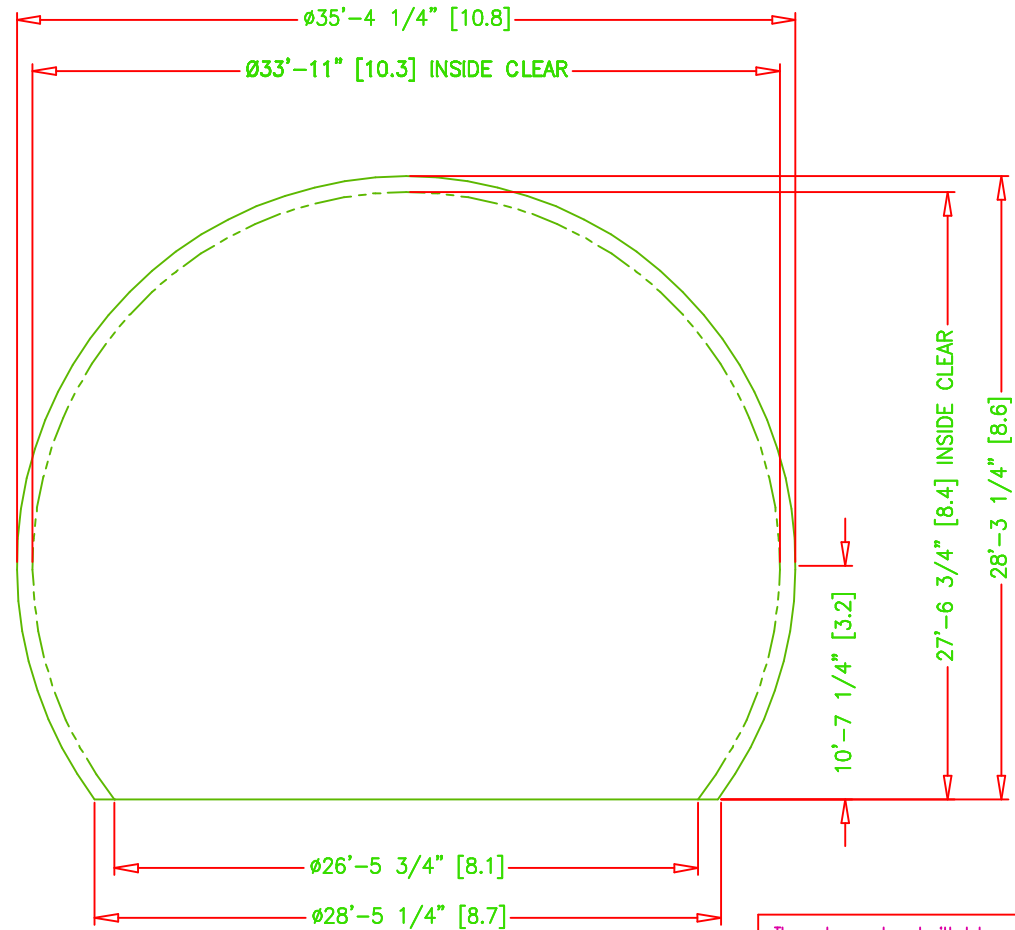


DWG NO. 35dsf28 SH 1 REV A

REVISIONS

ZONE	REV	DESCRIPTION	DATE	APPROVED
------	-----	-------------	------	----------



TYPICAL 1/5 SECTION

These documents submitted by Antennas for Communication contain information of a proprietary nature and shall not be copied or duplicated in whole or in part or used in whole or in part for any purpose other than that which is necessary for the preparation of bids or fabrication.

UNLESS OTHERWISE SPECIFIED:

- ALL MACHINED SURFACES TO BE 125 MICRONS OR SMOOTHER.
- ALL DIMENSIONS ARE IN INCHES.

TOLERANCES:

.XX	±.04 (1.00mm)	FRACTIONS
.XXX	±.008 (0.20mm)	± 1/16
.XXXX	±.0008 (0.02mm)	ANGLE ±1/2°

JOB NO.  
DRAWN KROHNE 01/12/00  
CHECKED

$\phi 35'$ RADOME	
28' HIGH DIELECTRIC	
<b>AFC</b>	35DSF28
ANTENNAS FOR COMMUNICATIONS INC. OCALA, FLORIDA	
SIZE <b>B</b>	CAGE CODE IGC56
DRAWN	DWG NO. 35dsf28
CHECKED	REV. <b>A</b>
SCALE 1/4" = 1'	DWG. WT. ACT. WT. SHEET 1 OF 1