

4

3

2

ZONE		REV	DESCRIPTION	DATE	APPROVED

D

D

C

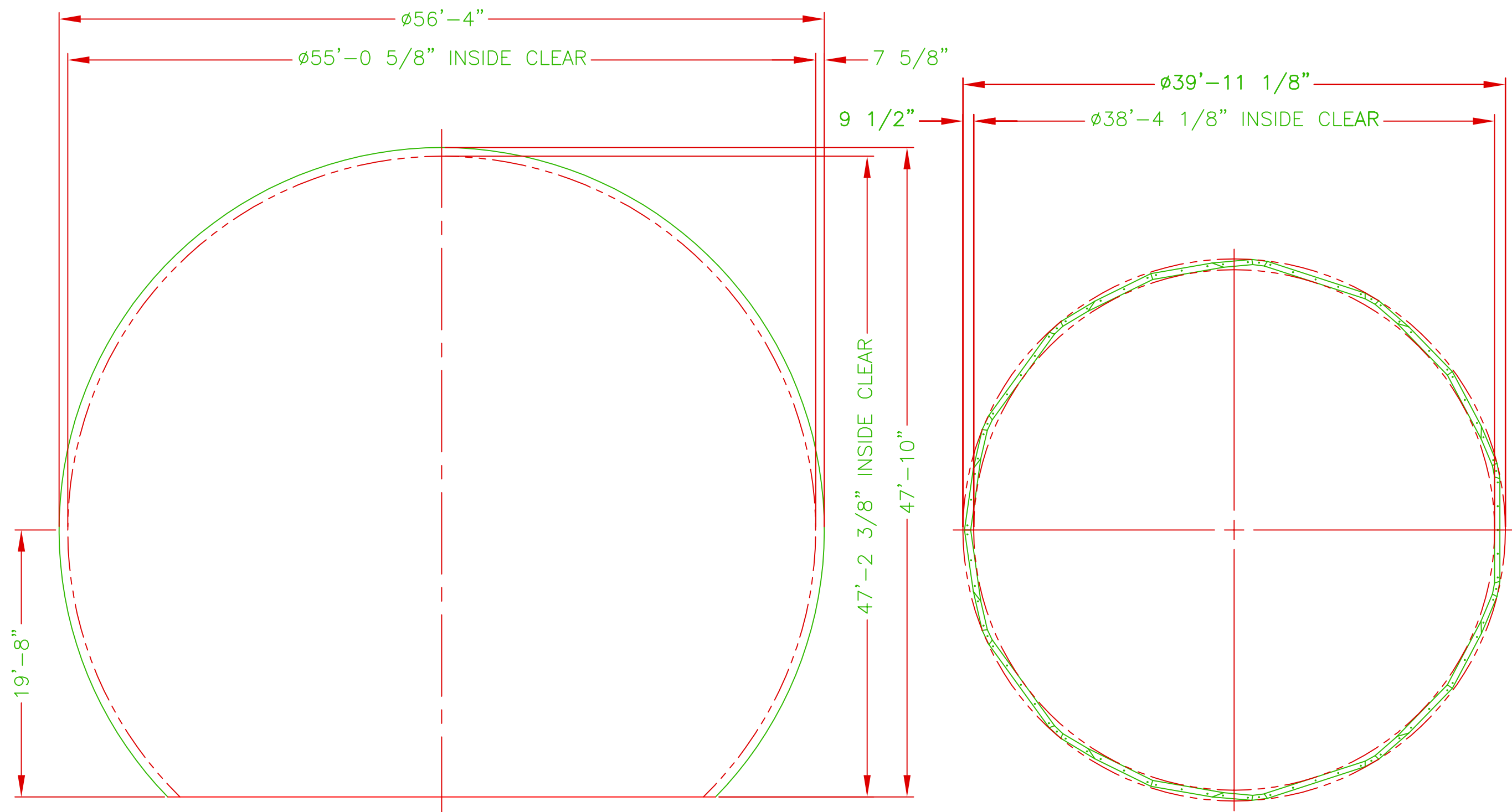
C

B

B

A

A



ELEVATION

PRELIMINARY

BASE

These documents by Antennas for Communications contain information of a proprietary nature and shall not be copied or duplicated in whole or in part or used in whole or in part for any purpose other than for preparation of bids or fabrication.

1. ALL MACHINED SURFACES TO BE 125 MICRONS OR SMOOTHER.
2. ALL DIMENSIONS ARE IN INCHES.
.X ±.1 [2.5mm] FRACTIONS ± 1/16
.XX ±.04 [1.0mm] ANGLE ±1°
.XXX ±.008 [0.2mm]
DESIGN
PRODUCTION
QUALITY

OUTLINE SPECIFICATIONS			
56' x 47'10" DIELECTRIC SPACE FRAME			
AFC	56DSF48004		
ANTENNAS FOR COMMUNICATIONS INC. OCALA, FLORIDA			
SIZE	CAGE CODE	DWG. NO.	REV.
B	IGC56	56DSF48002	A
R. KROHNE		DRAWN BY	06/25/04 1/8" - 1' MARKETING 1 OF 1

4

3

2

1