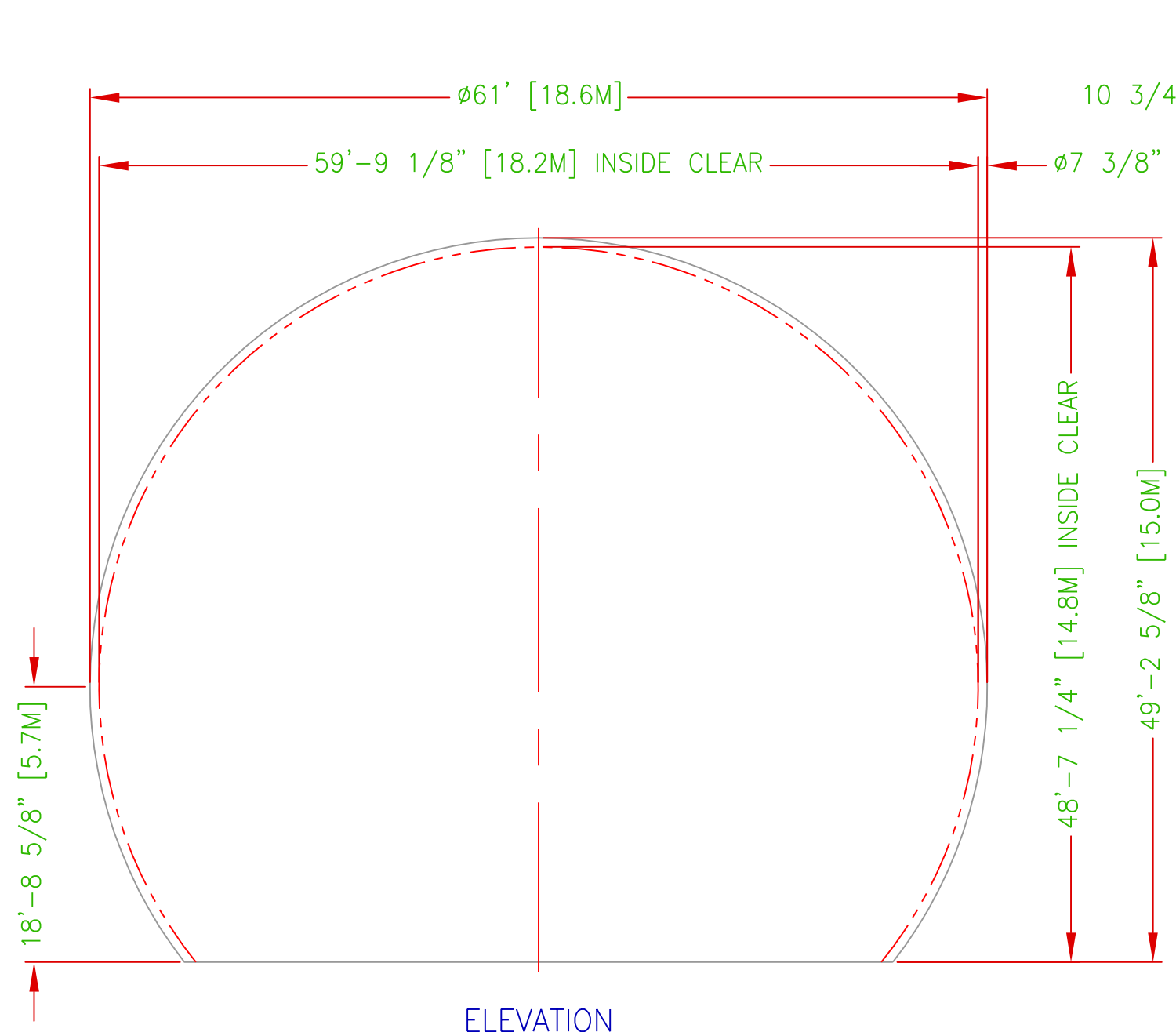
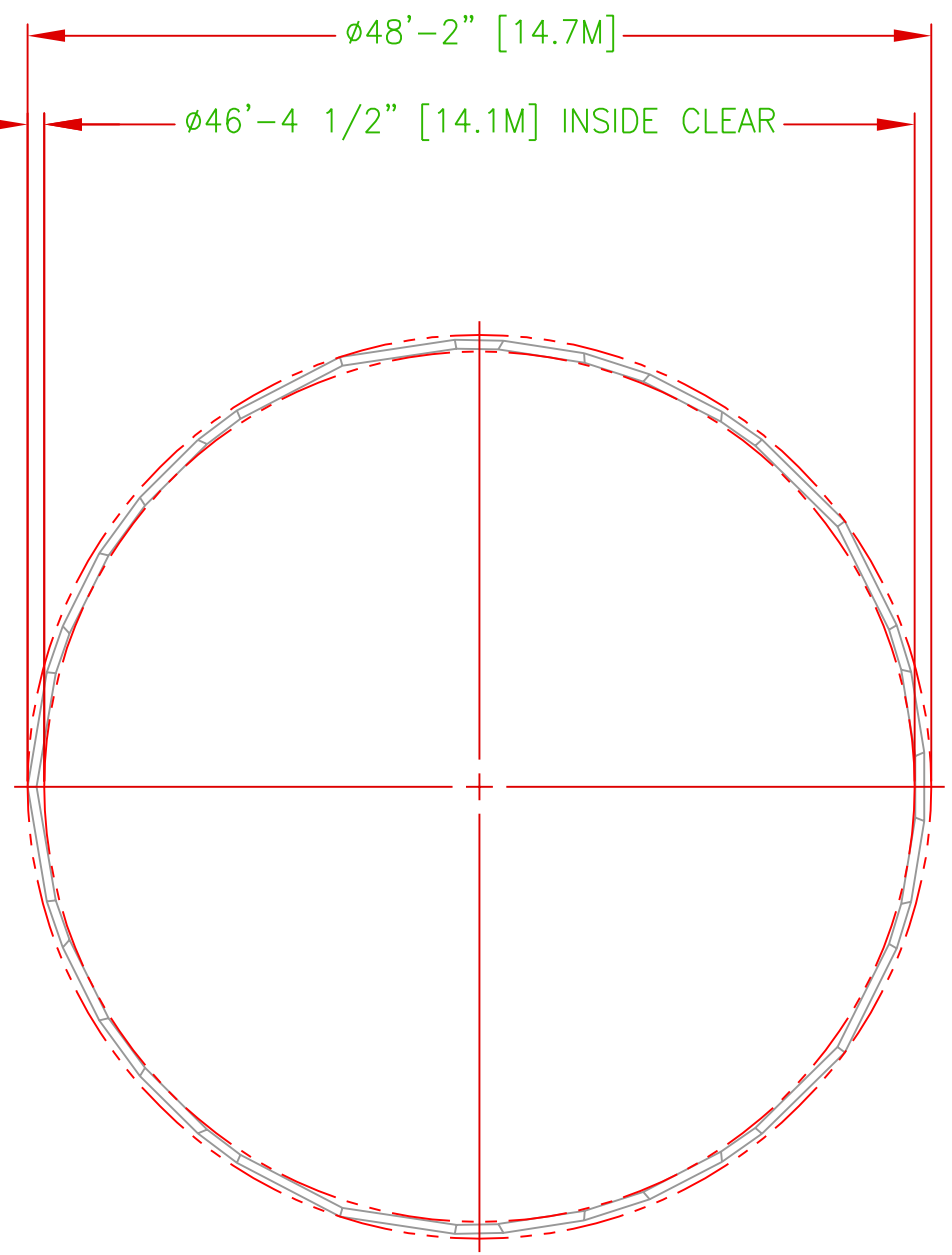


REVISIONS				
ZONE	REV	DESCRIPTION	DATE	APPROVED



ELEVATION



BASE

PRELIMINARY

These documents by Antennas for Communication contain information of a proprietary nature and shall not be copied or duplicated in whole or in part or used in whole or in part for any purpose other than for preparation of bids or fabrication.

1. ALL MACHINED SURFACES TO BE 125 MICROINCHES OR SMOOTHER.
2. ALL DIMENSIONS ARE IN INCHES.
.X ±.1 [2.5mm] FRACTIONS
.XX ±.04 [1.0mm] ± 1/16
.XXX ±.008 [0.2mm] ANGLE ±1°
DESIGN
PRODUCTION
QUALITY

OUTLINE SPECIFICATIONS
 61' RADOME 49' 2-5/8" HIGH DIELECTRIC
 61DSF49002

AFC
 ANTENNAS FOR COMMUNICATIONS INC.
 OCALA, FLORIDA

SIZE: B CAGE CODE: IGC56 DWG NO.: 61DSF49002 REV: A
 R. KROHNE DRAWN BY: 12/03/03 1/8"-1" SCALE: USE FOR SHEET 1 OF 1