

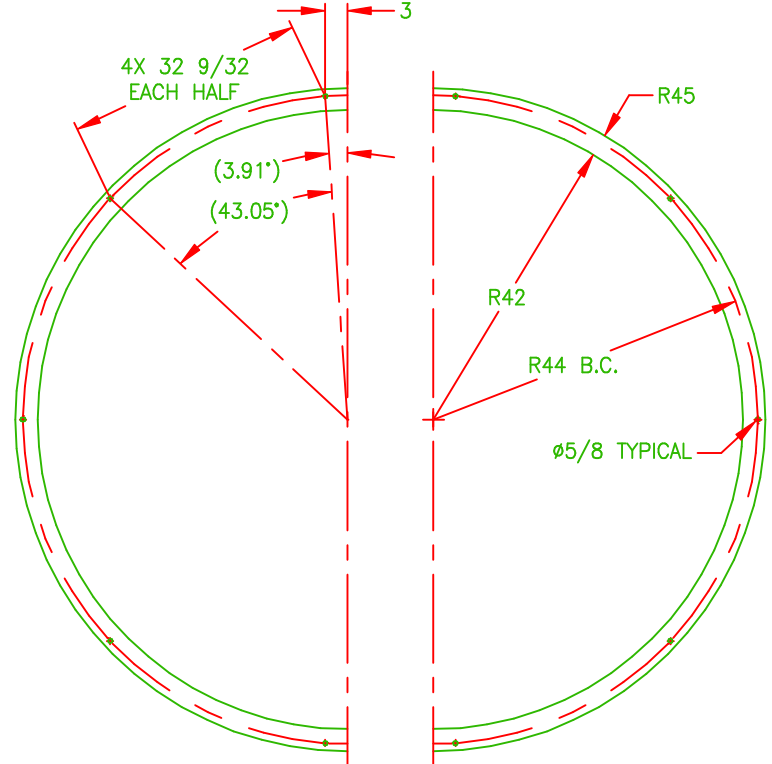
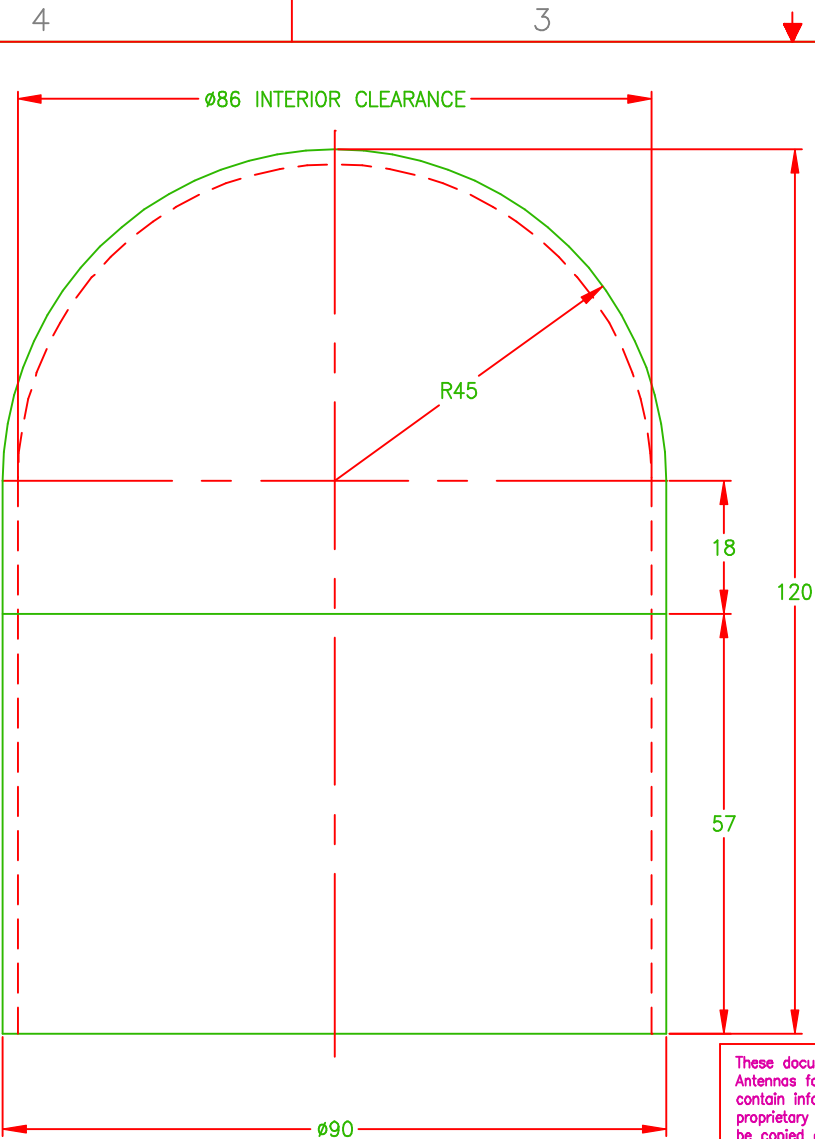
DWG NO. 7.5DMS10

SH 1 REV B

1

REVISIONS

ZONE	REV	DESCRIPTION	DATE	APPROVED
ALL	B	REDRAWN	08/14/98	



BASE VIEW
ANCHOR BOLT PATTERN
RADOME BASE CONSISTS OF 2 IDENTICAL SEMICIRCLES

These documents submitted by Antennas for Communication contain information of a proprietary nature and shall not be copied or duplicated in whole or in part or used in whole or in part for any purpose other than that which is necessary for the preparation of bids or fabrication.

UNLESS OTHERWISE SPECIFIED:	
1. ALL MACHINED SURFACES TO BE 125 MICRONS OR SMOOTHER.	
2. ALL DIMENSIONS ARE IN INCHES.	
TOLERANCES:	
.XX ±.04 (1.00mm)	FRACTIONS
.XXX ±.008 (0.20mm)	± 1/16
.XXXX ±.0008 (0.02mm)	ANGLE ±1/2°
JOB NO.	
DRAWN OLDHAM 06/08/96	
CHECKED	

7.5' DIAMETER RADOME

10' HIGH



7.5DMS10

ANTENNAS FOR COMMUNICATIONS INC.
OCALA, FLORIDA

SIZE	CAGE CODE	DWG NO.	REV
B	IGC56	7.5DMS10	B
SCALE SCALE		DWG. WT.	ACT. WT.
		SHEET 1 OF 1	

4

3

4

3

2

1

D

C

B

A

D

C

B

A