

4

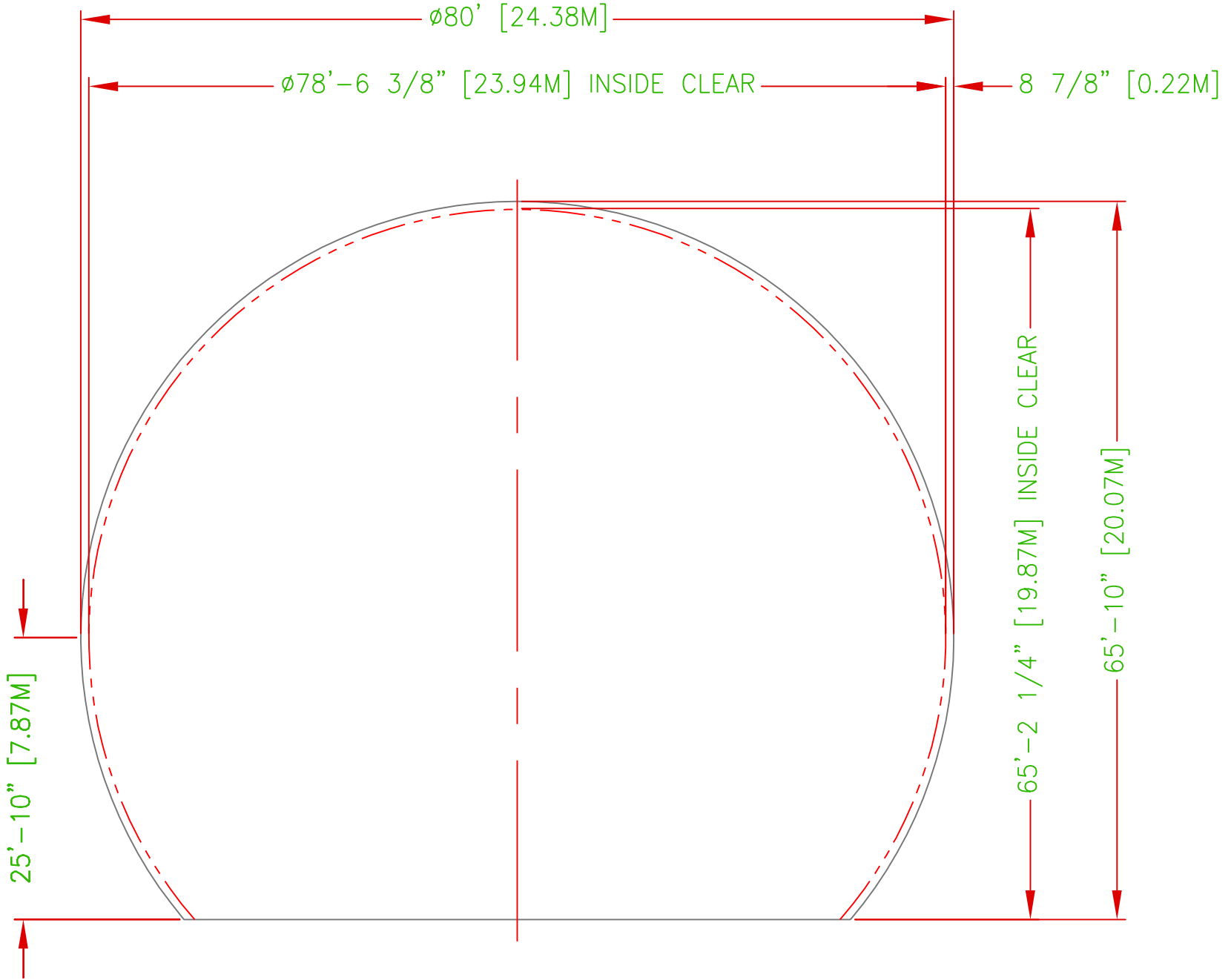
3

2

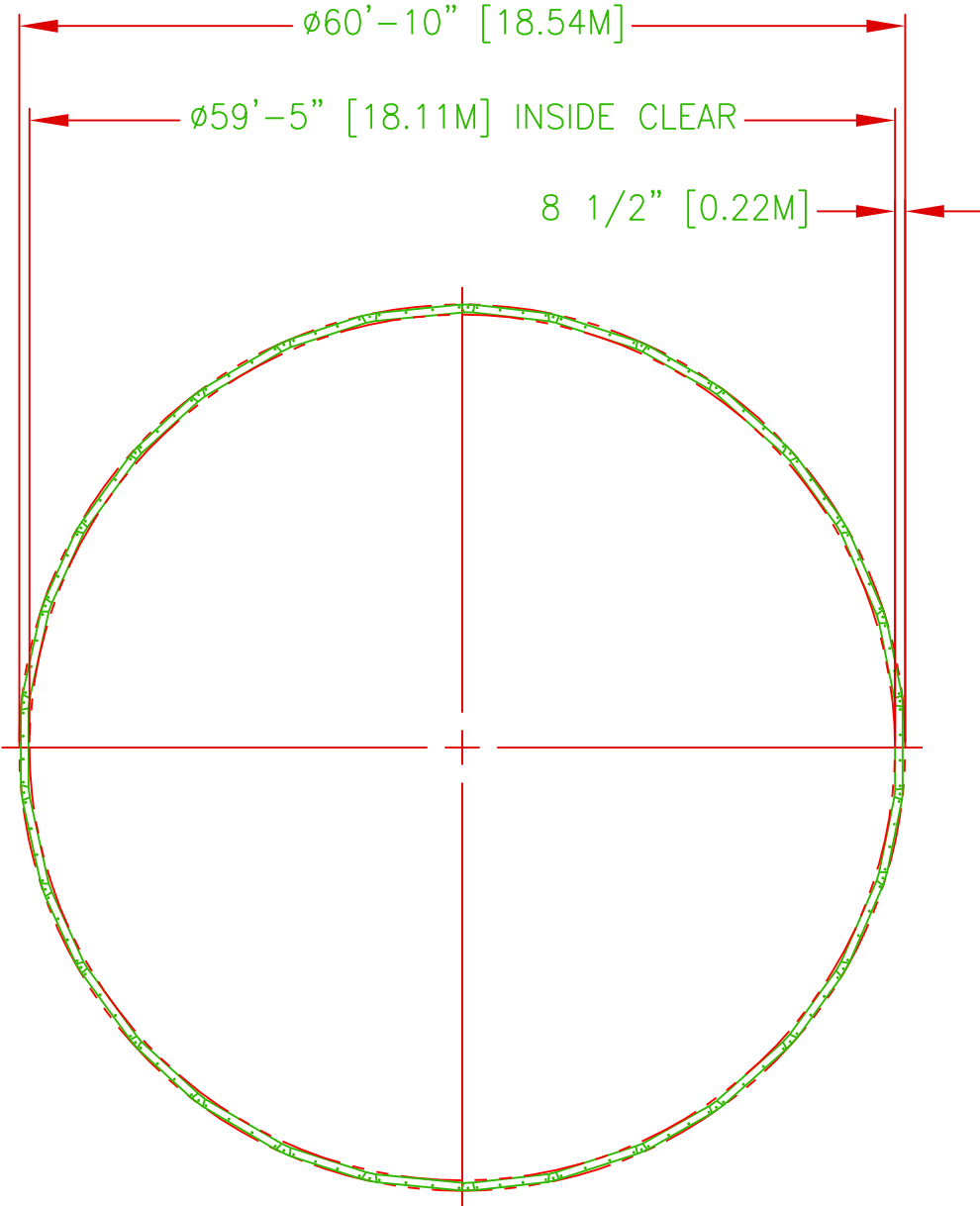
REVISIONS				
ZONE	REV	DESCRIPTION	DATE	APPROVED

D

D



ELEVATION



BASE

C

C

B

B

A

A

PRELIMINARY

These documents by Antennas for Communications contain information of a proprietary nature and shall not be copied or duplicated in whole or in part or used in whole or in part for any purpose other than for preparation of bids or fabrication.

1. ALL MACHINED SURFACES TO BE 125 MICRONS OR SMOOTHER.
2. ALL DIMENSIONS ARE IN INCHES.
.X ±.1 [2.5mm] FRACTIONS
.XX ±.04 [1.0mm] ± 1/16
.XXX ±.008 [0.2mm] ANGLE ±1°
* DESIGN *
* PRODUCTION *
* QUALITY *

OUTLINE SPECIFICATIONS			
80' RADOME 66' HIGH, DIELECTRIC			
AFC		80DSF66004	
ANTENNAS FOR COMMUNICATIONS OCALA, FLORIDA			
SIZE	CAGE CODE	DWG NO.	REV.
B	IGC56	80DSF66002	A
* R. KROHNE		DRAWN BY 11/15/05	SCALE 3/4" = 1'
		FOR MARKETING	SHEET 1 OF 1