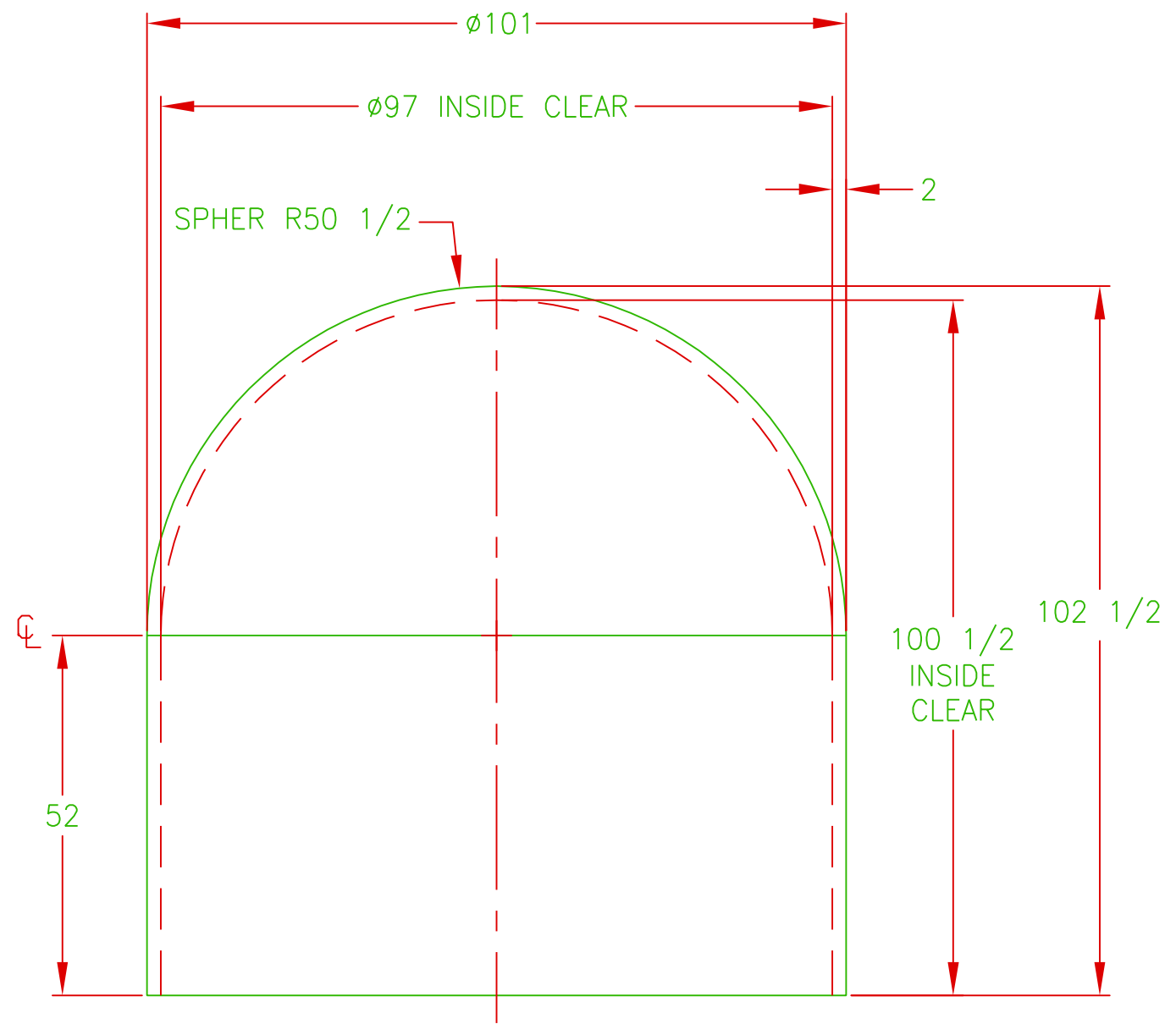


4

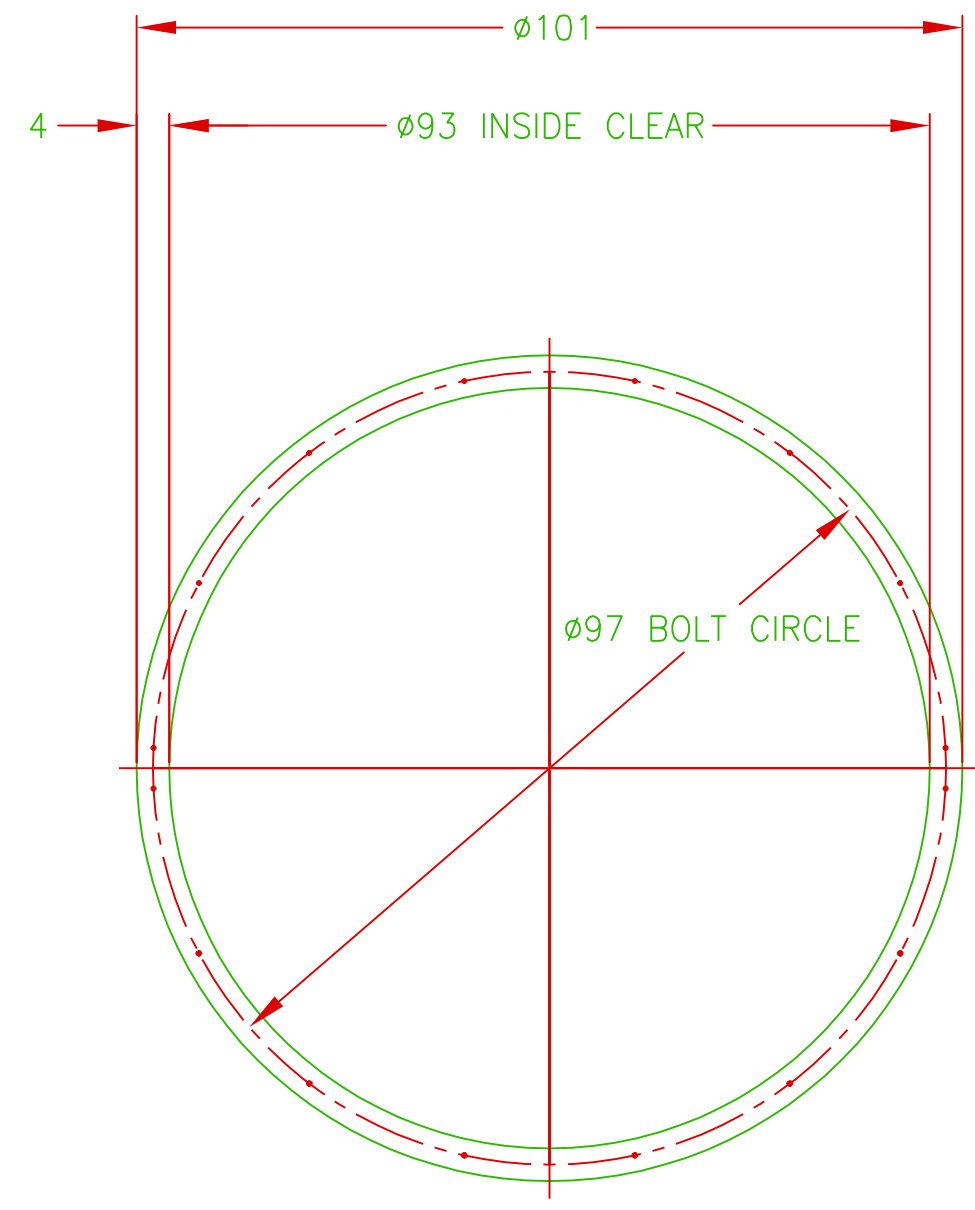
2

DWG NO. 3 8DMS8002 SH 1 REV A

REVISIONS				
ZONE	REV	DESCRIPTION	DATE	APPROVED



ELEVATION



BASE

ORIGINAL

These documents by Antennas for Communication contain information of a proprietary nature and shall not be copied or duplicated in whole or in part or used in whole or in part for any purpose other than for preparation of bids or fabrication.

1. ALL MACHINED SURFACES TO BE 125 MICROINCHES OR SMOOTHER.	FRACTIONS	
.X ±.1 [2.5mm]	± 1/16	
.XX ±.04 [1.0mm]	± 1/32	
.XXX ±.008 [0.2mm]	± 1/64	
ANGLE ±1°		
R. POSNER	DESIGN	07/12/01
L. SPIVEY	PRODUCTION	07/12/01
J. CATES	QUALITY	07/12/01

OUTLINE SPECIFICATIONS			
8' RADOME 8' HIGH			
<b>AFC</b>		8DMS8005	
ANTENNAS FOR COMMUNICATIONS INC. OCALA, FLORIDA			
SIZE	CAGE CODE	DWG NO.	REV.
B	IGC56	8DMS8002	A
DRAWN BY		SCALE	SHEET
R. KROHNE		02/01/01 1/2" = 1"	1 OF 1

4

3

2

1