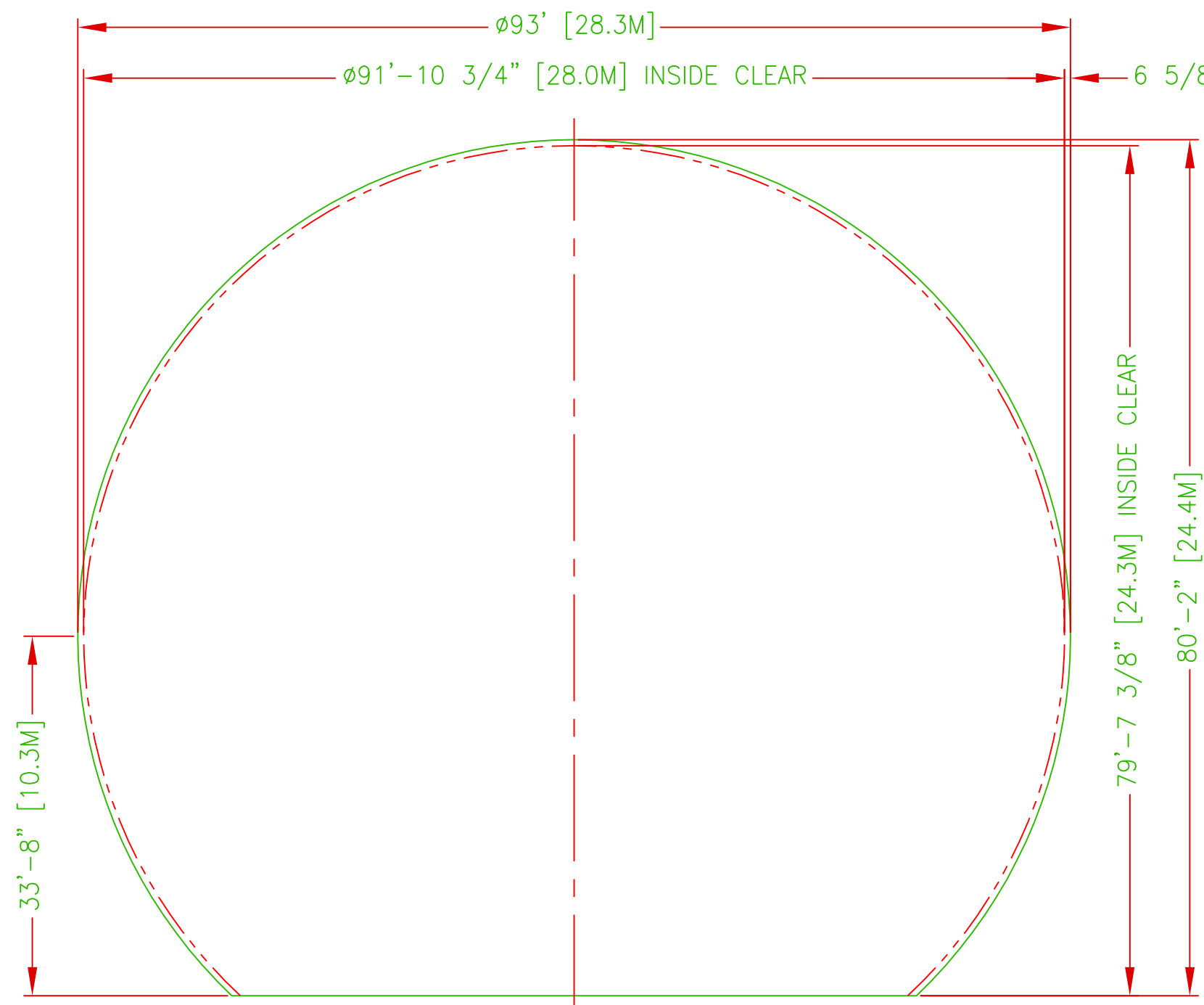
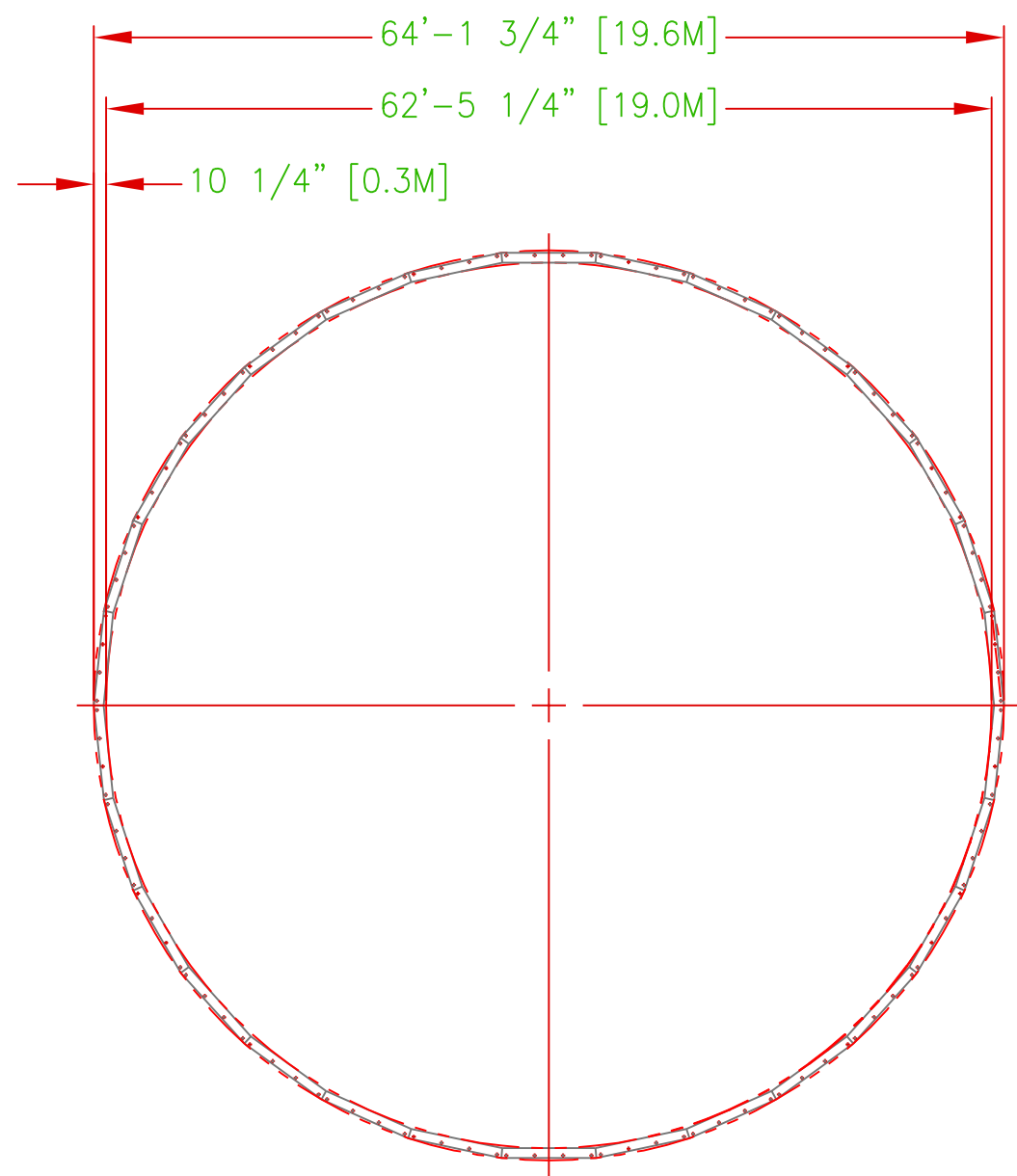


REVISIONS				
ZONE	REV	DESCRIPTION	DATE	APPROVED



ELEVATION



PRELIMINARY

BASE

These documents by Antennas for Communications contain information of a proprietary nature and shall not be copied or duplicated in whole or in part or used in whole or in part for any purpose other than for preparation of bids or fabrication.

1. ALL MACHINED SURFACES TO BE 125 MICROINCHES OR SMOOTHER.	FRACTIONS ANGLE $\pm 1^\circ$
2. ALL DIMENSIONS ARE IN INCHES.	
.X $\pm .1$ [2.5mm]	
.XX $\pm .04$ [1.0mm]	
.XXX $\pm .008$ [0.2mm]	
DESIGN	
PRODUCTION	
QUALITY	

OUTLINE SPECIFICATIONS			
93' RADOME 80' HIGH, DIELECTRIC			
<b>AFC</b>		93DSF80004	
ANTENNAS FOR COMMUNICATIONS INC. OCALA, FLORIDA			
SIZE	CAGE CODE	DWG. NO.	REV.
B	IGC56	93DSF80002	A
R. KROHNE		DATE	SHEET
DRAWN BY		07/10/03	1 OF 1